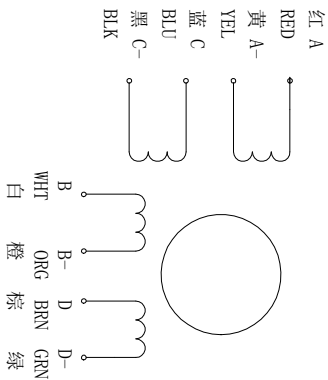


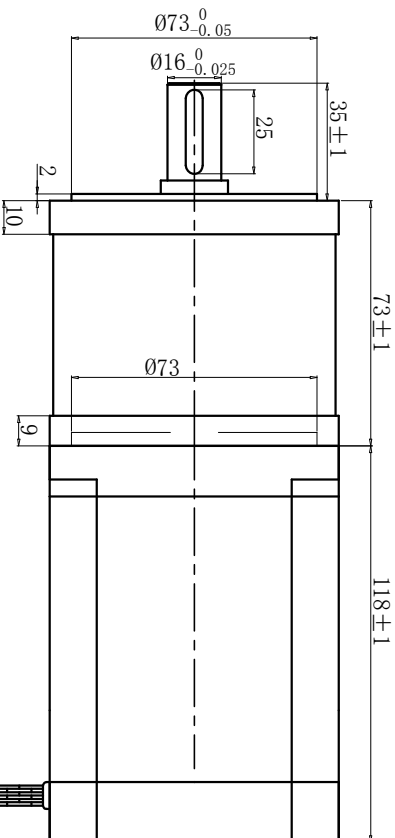
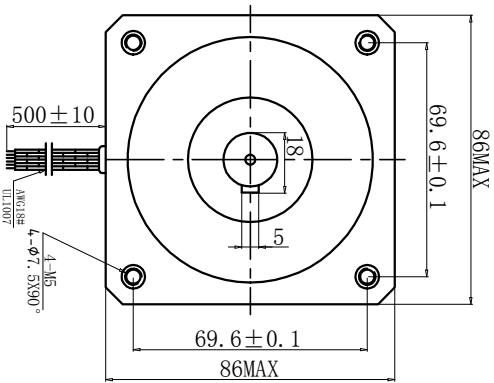
XXXX

接线图
Wiring Diagram



规格 SPECIFICATIONS

1	相数 Number of Phase	2
2	步距角 Step Angle	1.8° ± 5%
3	保持力矩 Holding Torque	85 kg·cm
4	电压 Voltage	4.9VDC
5	电流 Current	4.9A
6	相电阻 Phase Resistance (20°C)	1 ± 10% Ω
7	相电感 Phase Inductance (KHz)	5.6 ± 20% mH
8	转子惯量 Rotor Inertia	g · cm ²
9	绝缘电阻 Insulation Resistance	100M Ω 500VDC
10	绝缘等级 Insulation Class	B (130°C)
11	环境温度 Ambient Temperature	-20°C to 50°C
12	环境湿度 Ambient Humidity	15% to 95%
13	电机重量 Motor Weight	Approx xx kg
14	减速比 ReducerRatio	5:1



励磁顺序 (2相励磁)

EXITING SEQUENCE (2 PHASE)

STEP	A	B	A̅	B̅	CW
1	+	+	-	-	A
2	-	+	+	-	
3	-	-	+	+	
4	+	-	-	+	

Unit:mm
第一角画法
First angle method



未注线性与角尺寸公差
Tolerances for linear and angular dimensions without individual tolerance indications

GB/T 1804-m eqv ISO 2768-1:m
未注形状与位置尺寸公差
Geometrical tolerances for features without individual tolerance indications

GB/T 1184-k eqv ISO 2768-2:k

设计 DESIGN

校核 CHECK

工艺 TECHNOLOGY

标准化 STANDARD

批准 APPROVE

RONG

20151201

CW-motor

常州创伟电机电器有限公司
Changzhou Chuangwei Motor & Electric Apparatus Co., Ltd

TYPE: HYBRID STEPPING MOTOR SCALE XX Rev. 1. 1 SHEET 1 OF 1

Model: 86BHH18-Y490A-35J (PL5K)

DATE

UNLESS OTHERWISE SPECIFIED

NAMES

SIGNATURE

DATE

Model:

86BHH18-Y490A-35J (PL5K)

6

6