

Hybrid Stepping Motor

Type: 86BHH65-270E-32A

Rev: 1.1
Date: 20150104

COMMON RATINGS

Step angle: 1.8°

Positional accuracy: ±5%

Number of Phase: 4

Temperature rise: 80°C

Inertia: xxxxx gcm²

Dielectric strength: 500VDC

Insulation resistance: 100MΩ(500VDC)

Insulating class: B

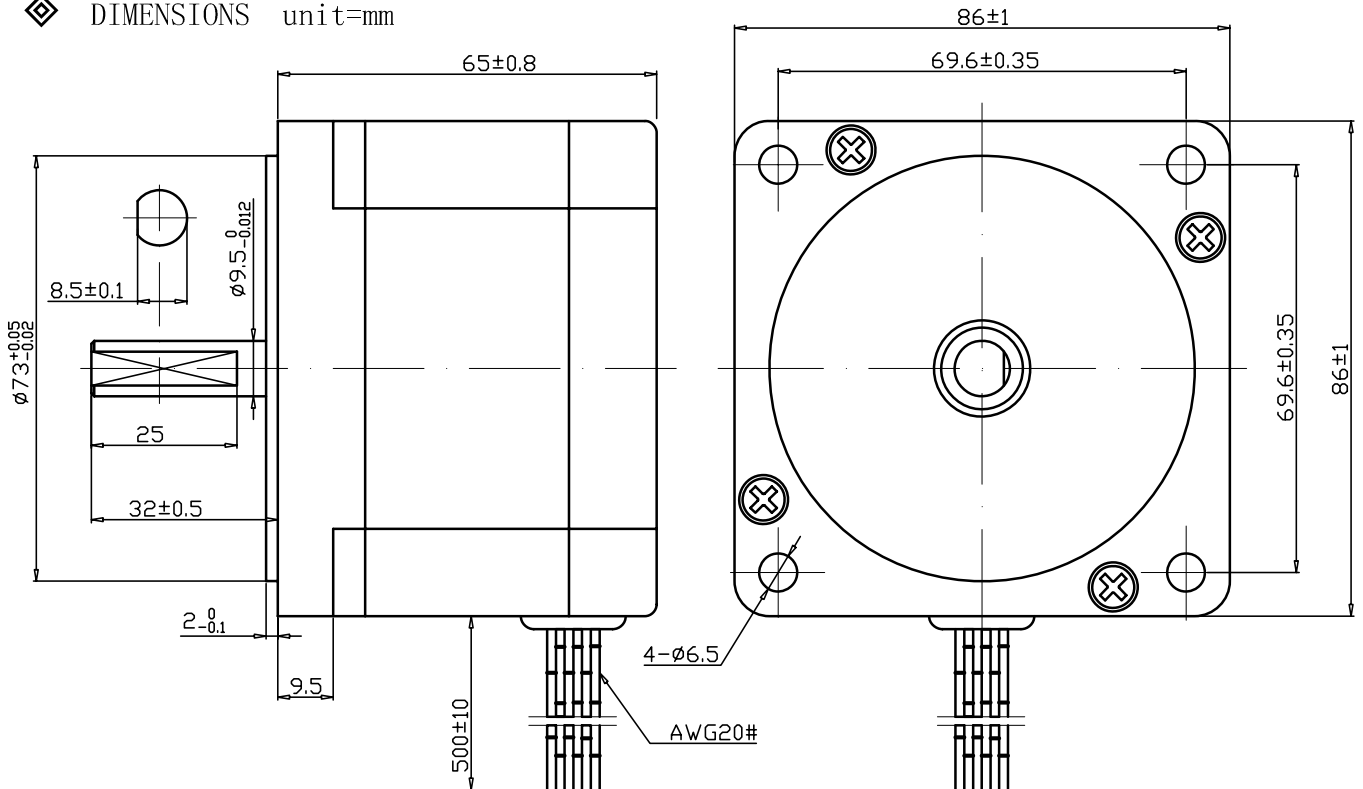
Radial play: 0.025mm max. (load 300g)

Weight: 2.0kg

SPECIFICATIONS

| | Holding Torque (2 phases on) N. cm ±10% | Rated Current/Phase (Amps DC) | Resistance/Phase (ohms) ±10% | Voltage/Phase (V DC) | Inductance/Phase (mH) ±20% Typical (1kHz) |
|--------------------|---|-------------------------------------|---------------------------------|-------------------------|---|
| Unipolar | 250 | 2.7 | 1.2 | 3.24 | 3.5 |
| Bipolar (Series) | 350 | 1.91 | 2.4 | 4.58 | 13.6 |
| Bipolar (Parallel) | 350 | 3.82 | 0.6 | 2.29 | 3.5 |

DIMENSIONS unit=mm



WIRINGS CONNECTION DIAGRAM

